

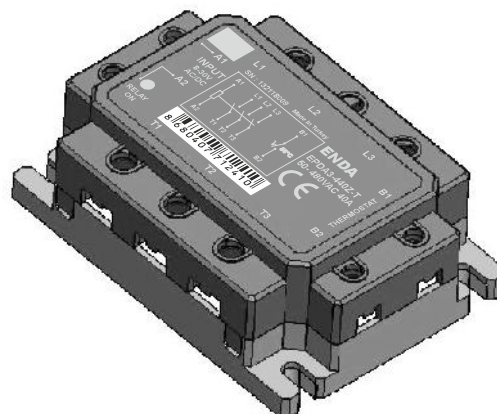


Read this document carefully before using this device. The guarantee will be expired by damaging of the device if you don't attend to the directions in the user manual. Also we don't accept any compensations for personal injury, material damage or capital disadvantages.

# ENDA EPDA3 / EPAA3 Panel Mounted Three-phase Solid State Relays

Thank you for choosing ENDA EPDA3 / EPAA3 series Solid State Relays.

- \* 25-40-50A AC three-phase load current.
- \* 480V AC load voltage.
- \* 8-30V AC/DC or 90-240V AC input voltage.
- \* Led status indicator for input voltage.
- \* Zero-cross switching.
- \* Applicable for three phase loads.
- \* Built-in varistor protection.
- \* Fan control thermostat (option).
- \* Panel mountable.



**CE** **RoHS Compliant**

## ORDER CODE

Product Basic Code	EPDA3 - 425Z - T	Option	Thermostat T
Panel type SSR	EP	Switching	Zero crossing Z
Input voltage	8-30V AC/DC D 90-240V AC A	Load current	25A AC 25 40A AC 40 50A AC 50
Load voltage	AC A	Load voltage	50-480V AC 4
Pole number	Three-pole 3		

ENVIRONMENTAL CONDITIONS	
Ambient-storage temperature	-25... +60 °C / -30... +100 °C (Shouldn't be icing and condensation in ambient.)
Relative humidity	50% Relative humidity for +40°C temperature increases up to 90% at +20°C. (Shouldn't be condensation)
Pollution degree	2
Overtoltage category	II
Altitude	Max. 1000m
Protection	Ip20 According to EN60529
⚠ Do not use the device in locations subject to corrosive and flammable gases.	

OUTPUT			
Order Code	EPxA3-425Z	EPxA3-440Z	EPxA3-450Z
Load current, AC51/25°C (Arms)	25	40	50
Load voltage (Vrms)	50 - 480		
Overload current t=1s/25°C (Arms)	70	110	150
Non rep.surge current/25°C (Arms)	190	290	380
On-state voltage drop (Vrms)	1,8		
Leakage current (mArms)	8		10
I²t for fusing t=10ms (A²s)	265	610	720
Frequency (Hz)	50 - 60		
Min. operating current (mArms)	200		300

THERMAL SPECIFICATIONS			
Tj Junction temperature (°C)	≤125	≤125	≤125
Rth(j-c) Junction-case thermal resistance (°C/W)	≤1,2	≤1,0	≤0,6
Rth(j-a) Junction-ambient thermal resistance (°C/W)	≤20	≤20	≤20

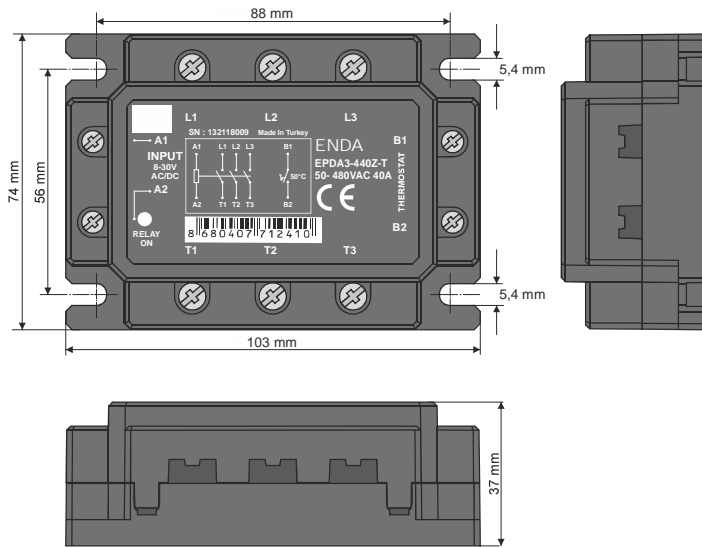
INPUT		
Order code	EPDA3-4xxZ	EPAA3-4xxZ
Input voltage	8 - 30Vac/dc	90 - 240Vac
Pick-up voltage	> 6Vac/dc	> 75Vac
Drop-out voltage	< 2Vac/dc	< 6Vac
Input current	< 17mAac/10mAac	< 8mAac
Turn-on time	Maximum ½ Period	Maximum 1 Period
Turn-off time	Maximum ½ Period	Maximum 2 Period
LED indicator	If the input voltage >6V ac/dc, LED lights up.	If the input voltage >75V ac, LED lights up.

GENERAL	
Order code	EPxA3-4xxZ
Dimensions	W103xH74xD37mm
Weight	For EPxA3-425/440Z 200g , For EPxA3-450Z 220g (After packaging)
Isolation voltage	2500Vrms between I/O terminals for 1 min.
Connection	For power line 16mm² (with cable terminal 25mm²) cable, for signal line 4mm² cable can be connected.
Terminal screw torque	For power line max. 2,2Nm, for signal line max. 1,2Nm.
Product standard	EN 60947-4-3
Mounting	With M5 screws is mounted to the panel.
Enclosure material	Self extinguishing plastics (According to EN 60695-11-10 V-O)
	The temperature is above 50°C, the SSR works. (24Vdc 2A, 120Vac 2A)

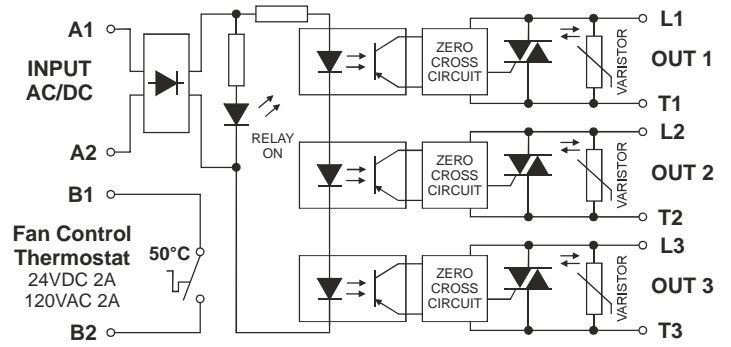


While cleaning the device, solvents (thinner, benzene, acid etc.) or corrosive materials must not be used.

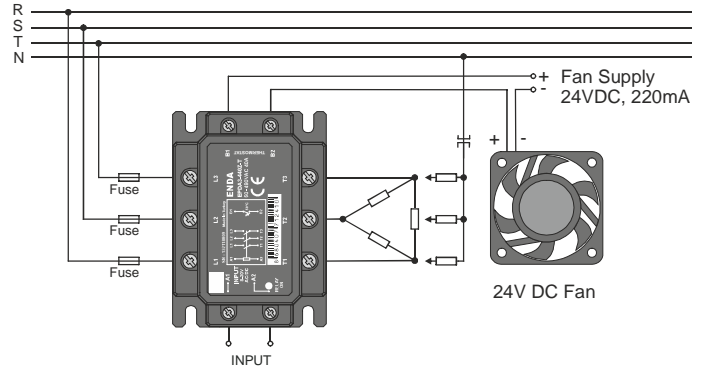
## DIMENSIONS



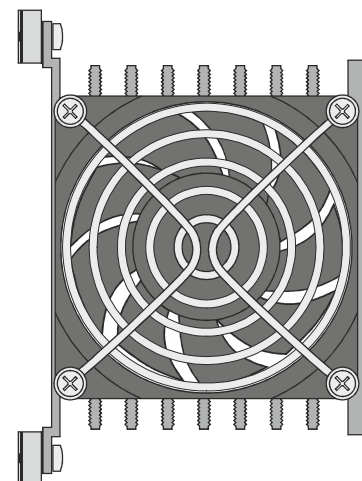
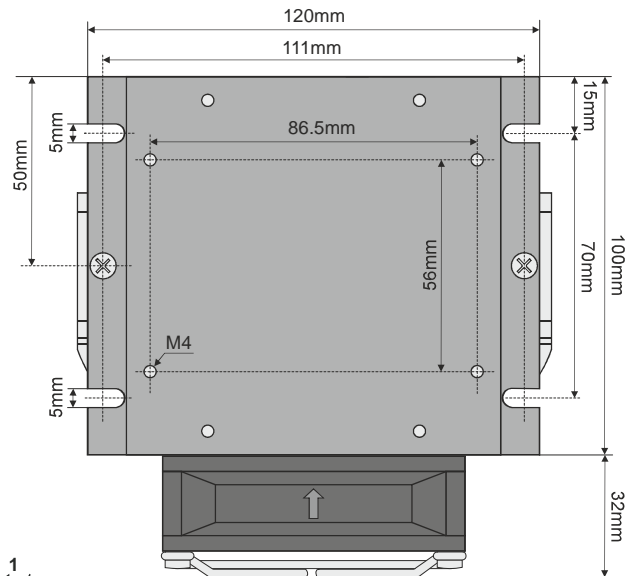
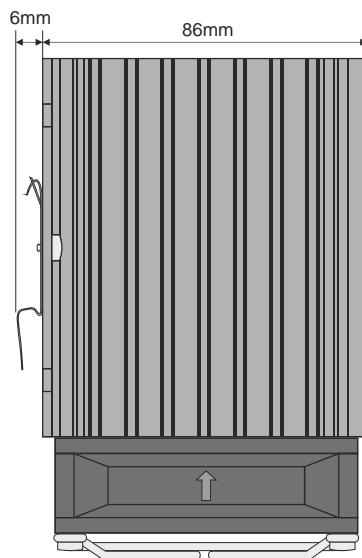
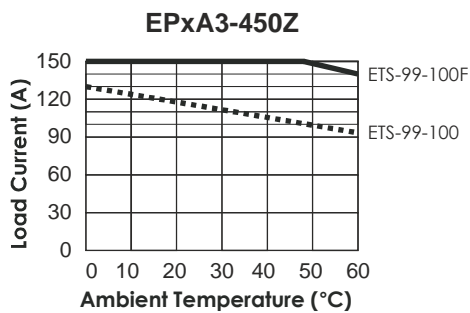
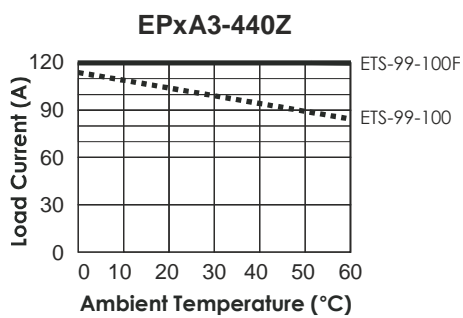
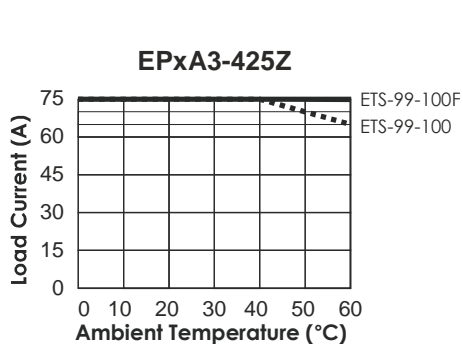
## CONNECTION DIAGRAM



## CONNECTION EXAMPLES



## ENDA ETS-99-100F RAIL AND PANEL MOUNTED HEAT SINK



- For removing the device from the panel;  
Pull up in direction 1

- For mounting the device to the panel;  
Push down in direction 2

Fan supply : 24VDC, 220mA.  
Fan side of the device must be at the bottom.

Heat Sink Order Code	SSR Current (A)	Dimensions WxHxD (mm)	Thermal Resistance (°C/W)
ETS-99-100	3x25	99x87x100	0,75
ETS-99-100F	3x40-3x50	99x87x125	0,34