

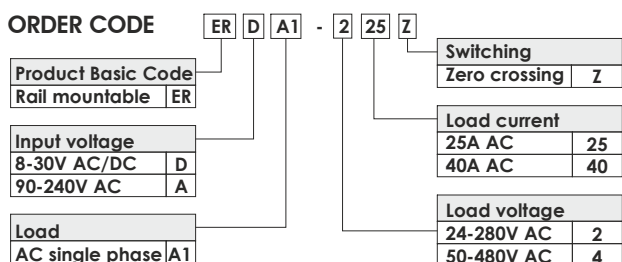
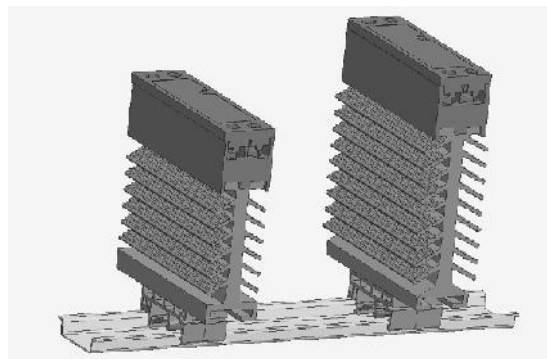


Read this document carefully before using this device. The guarantee will be expired by damaging of the device if you don't attend to the directions in the user manual. Also we don't accept any compensations for personal injury, material damage or capital disadvantages.

ENDA ERDA1 / ERAA1 Rail Mountable Solid State Relays With Integrated Heat Sink

Thank you for choosing ENDA ERDA1 / ERAA1 Solid State Relays.

- * 25-40A AC load current.
- * 280-480V AC load voltage.
- * 8-30V AC/DC or 90-240V AC input voltages.
- * LED status indicator for input voltage.
- * Zero-cross switching.
- * Applicable for three phase loads.
- * Built-in varistor protection.
- * Rail mountable.
- * CE marked according to European Norms.



ENVIRONMENT AL CONDITIONS	
Ambient/storage temperature	-25... +60 °C / -30... +100 °C (In the environment icing and condensation should not be.)
Relative humidity	At +40 °C %50, temperature was reduced at +20 °C could be %90. (Condensation should not be.)
Pollution degree	2
Overtoltage category	II
Altitude	Max. 1000m
Protection	IP20 According to EN60529

Do not use the device in locations subject to corrosive and flammable gases.

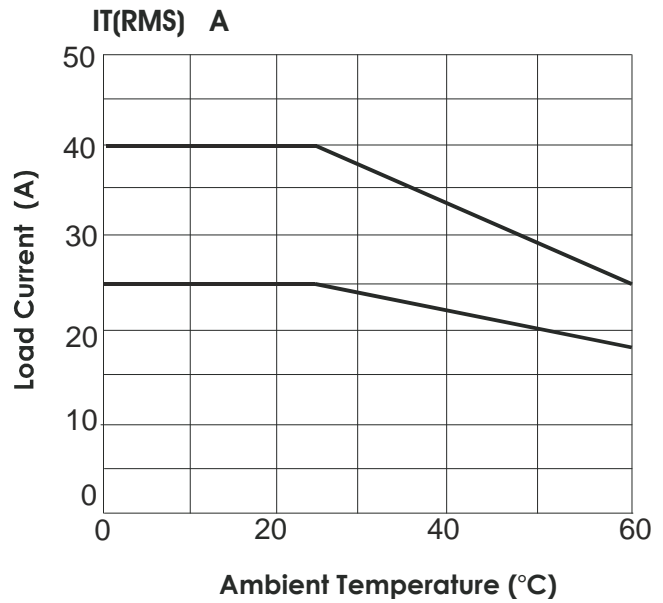
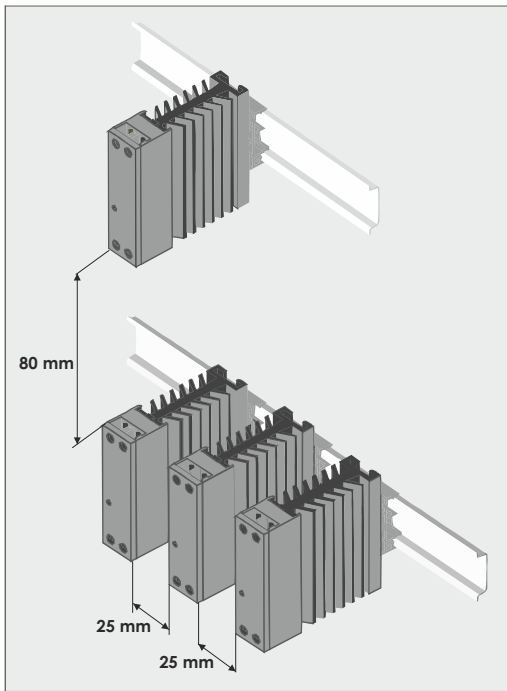
OUTPUT				
Order Code	ERxA1-225Z	ERxA1-240Z	ERxA1-425Z	ERxA1-440Z
Load Current, AC51(Resistive load)/25°C (Arms)	25	40	25	40
Load voltage (Vrms)	24 - 280		50 - 480	
Peak voltage (Vrms)	600		1200	
Overload current t=1s/25°C (Arms)	85	150	70	110
Non rep. surge current/25°C (Arms)	250	400	190	290
On- state voltage drop (Vrms)	1,6		1,8	
Leakage current (mArms)	5		8	
I ² t for fusing t=10ms (A ² s)	340	880	265	610
Frequency (Hz)	50 - 60		50 - 60	

INPUT		
Order Code	ERDA1-xxxZ	ERAA1-xxxZ
Input voltage range	8 - 30Vac/dc	90 - 240Vac
Pick-up voltage	> 6Vac/dc	> 75Vac
Drop-out voltage	< 2Vac/dc	< 6Vac
Input current	< 17mAac/10mAdc	< 8mAac
Turn-on time	Maximum ½ Period	Maximum 1 Period
Turn-off time	Maximum ½ Period	Maximum 2 Period
LED indicator	If the input voltage >6V ac/dc, LED lights up.	If the input voltage >75V ac, LED lights up.

GENERAL		
Order Code	ERxA1-x25Z	ERxA1-x40Z
Dimensions	W24xH84xD97mm	W30xH84xD115mm
Weight	Approx. 203 g (After packaging)	Approx. 280 g (After packaging)
Isolation Voltage	2500 Vrms between I/O terminals for 1 min.	
Connection	M4 screw-type (2x4mm ² cable or 1x6mm ² cable with insulated terminals.)	
Terminal screw torque	Max. 1,2Nm	
Product standard	EN 60947-4-3	
Mounting	Rail Mountable (EN60715,TH35 or G-32)	
Enclosure material	Self extinguishing plastics (According to EN 60695-1 1-10 V-O)	

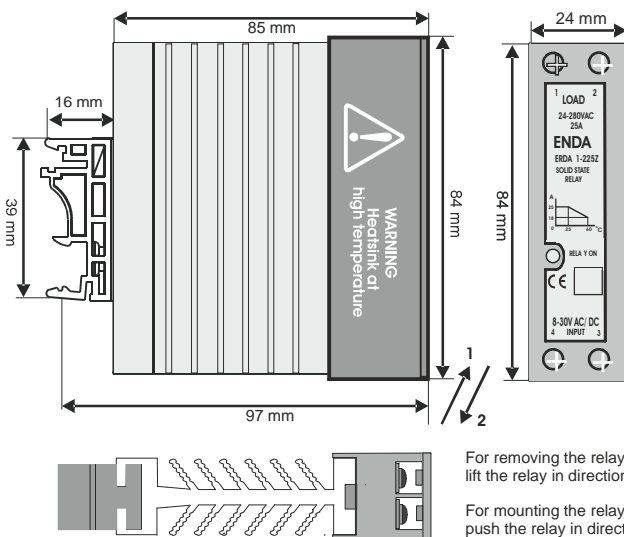
While cleaning the device, solvents (thinner , benzine, acid etc.) or corrosive materials must not be used .

up to date: 10.05.2019, modification reserved and can be change any time previous notice !

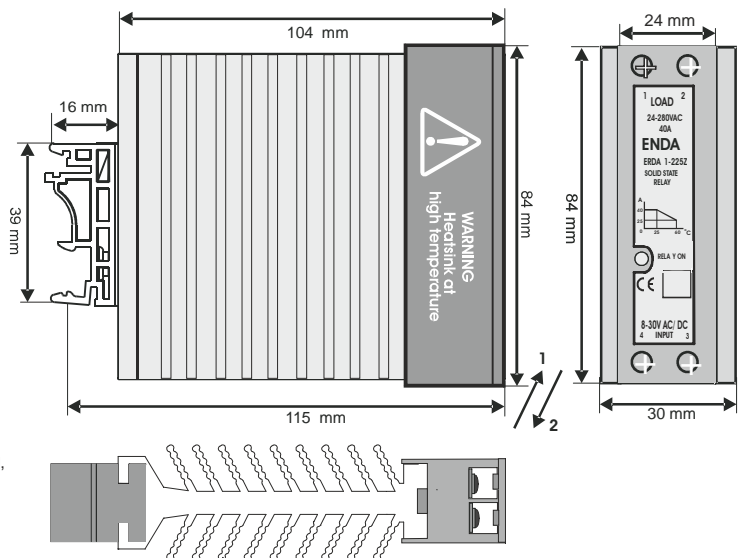


DIMENSIONS

For ERxA1-x25Z ;



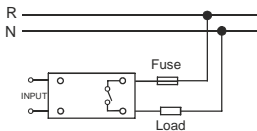
For ERxA1-x40Z ;



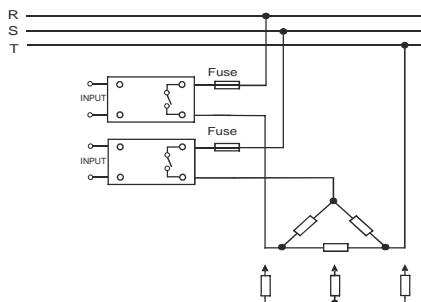
For removing the relay from rail, lift the relay in direction 1.
For mounting the relay to rail, push the relay in direction 2.

CONNECTION EXAMPLES

Single Phase Load Application



Three Phase Load Application With The Two SSRs



Three Phase Load Application With The Three SSRs

